

Network Communications

Chapter 16

Fiber Distributed Data Interface
FDDI

FDDI Traffic Flow

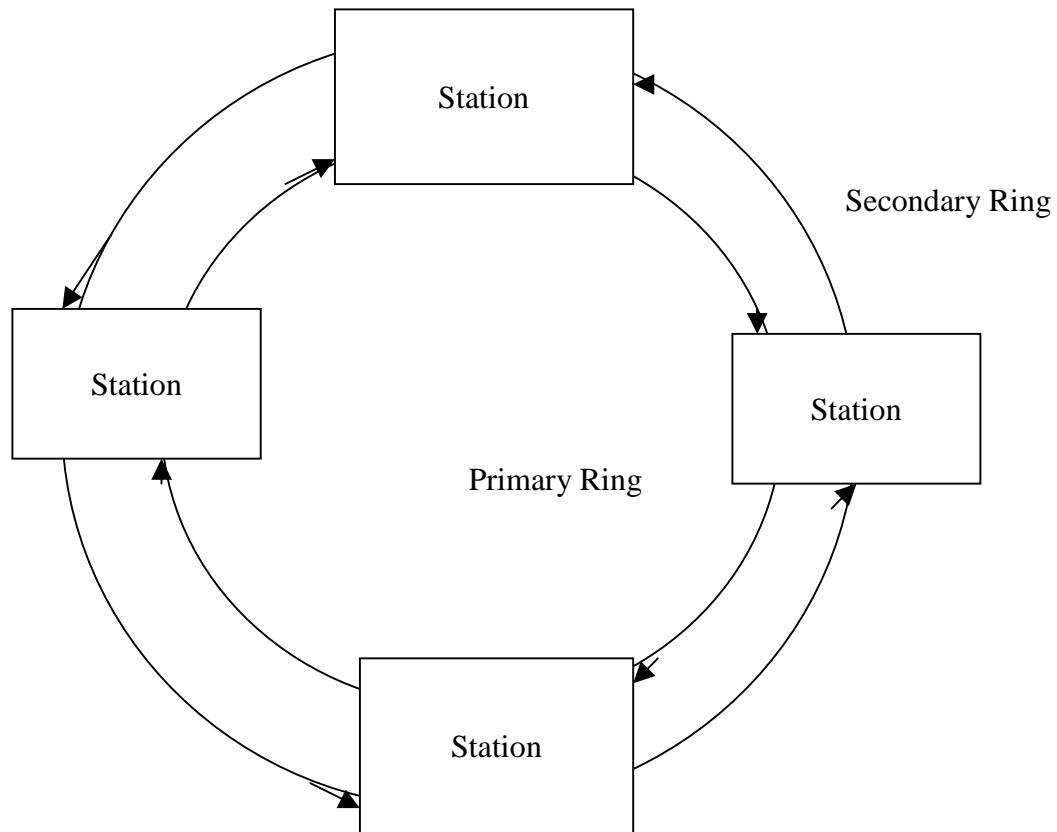


Figure 16.1

FDDI Layered Architecture

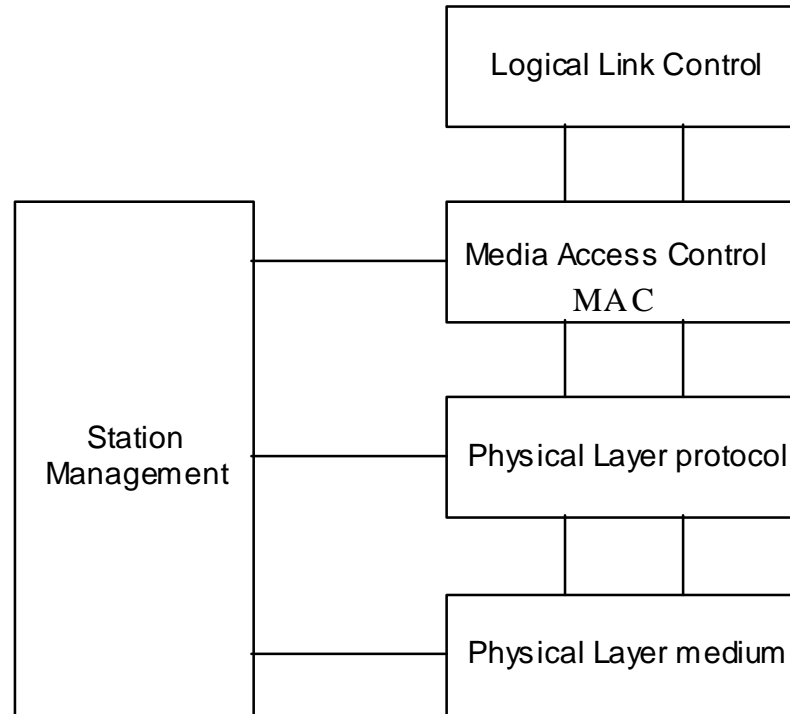


Figure 16.2

FDDI Components

- Dual Attachment Station (DAS)
- Single Attachment Station (SAS)
 - Works with a concentrator to allow non-redundant access to the primary ring
- Concentrator

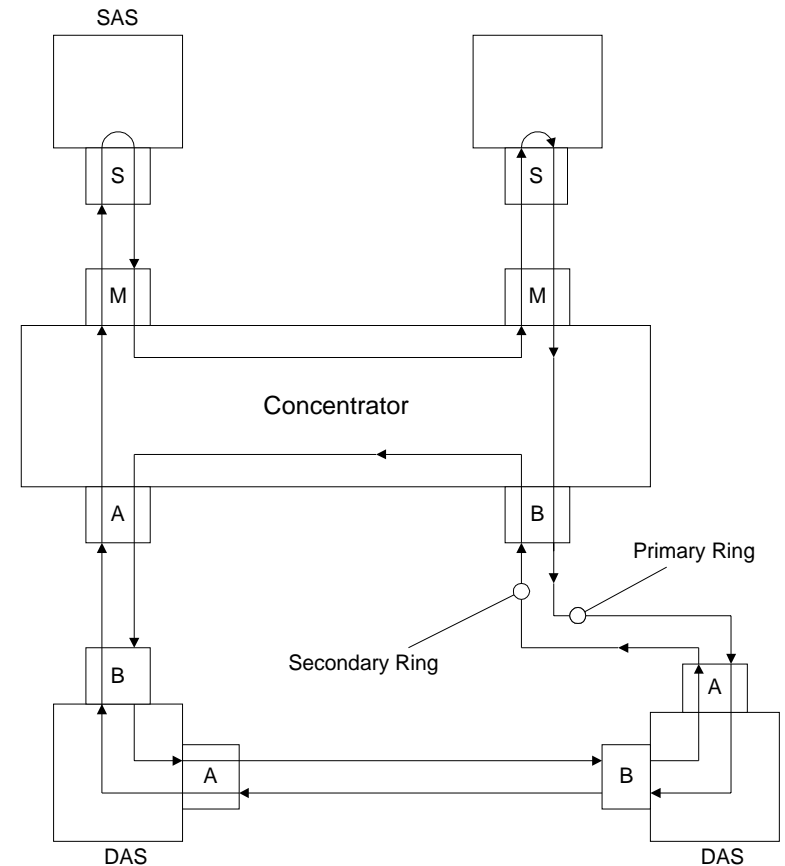


Figure 16.3

Dual Attachment Station

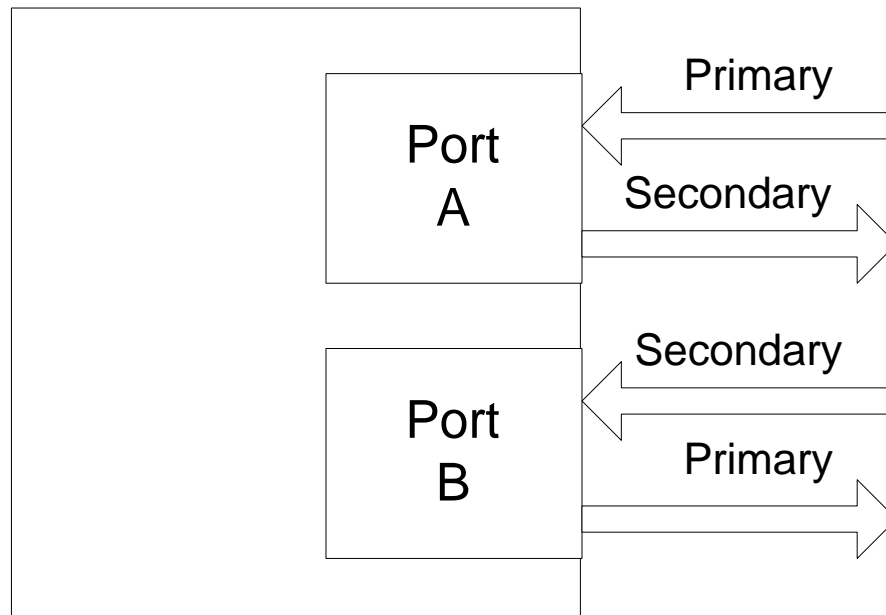


Figure 16.4

FDDI Wrapping: Fault Tolerance

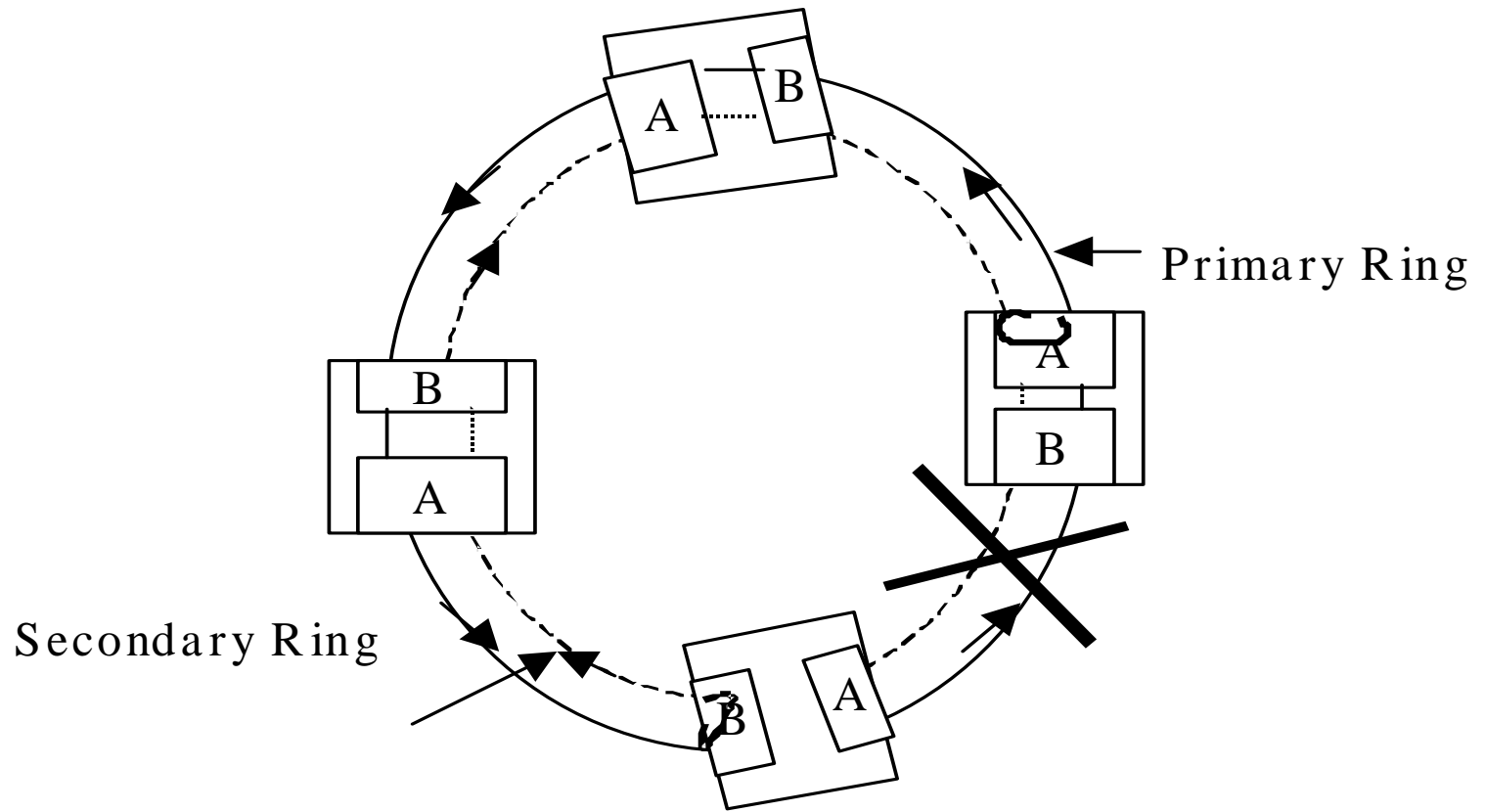


Figure 16.5

A Segmented FDDI Ring

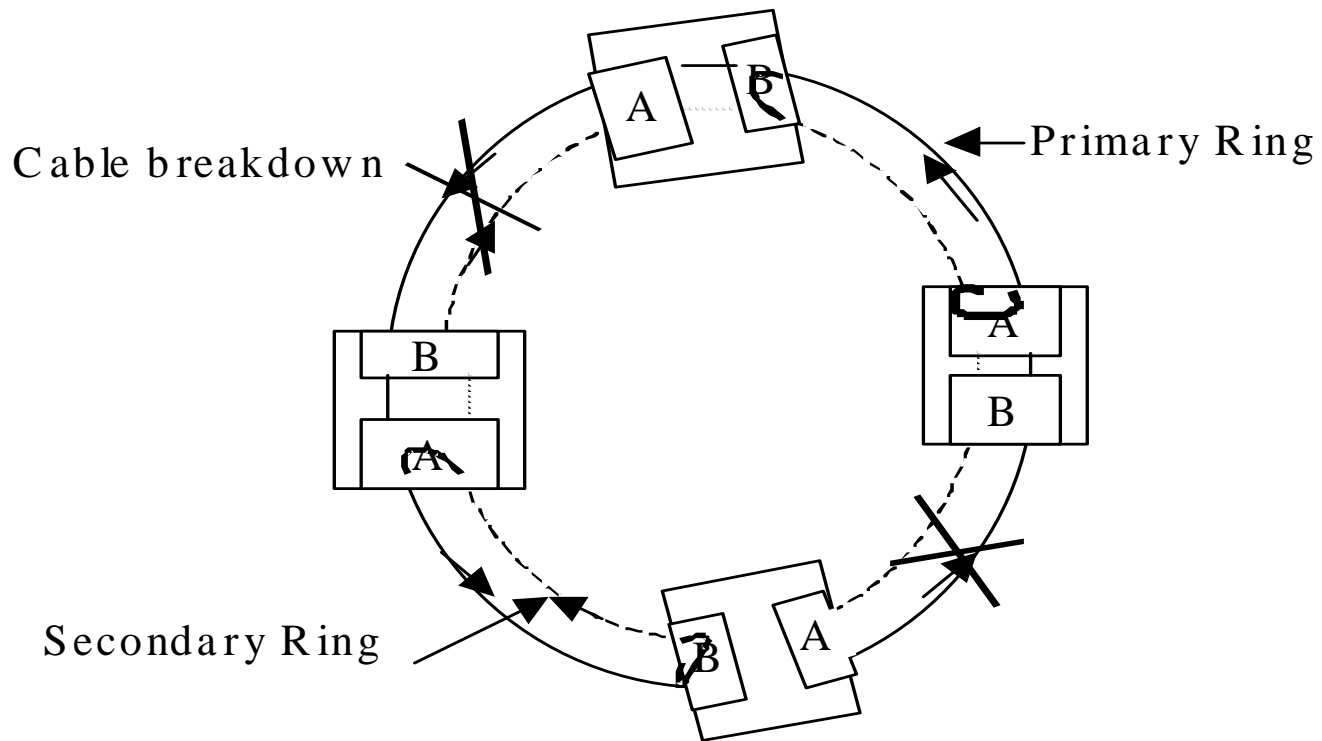


Figure 16.6

FDDI Frame Format

- Token Ring – like, 4B/5B encoding

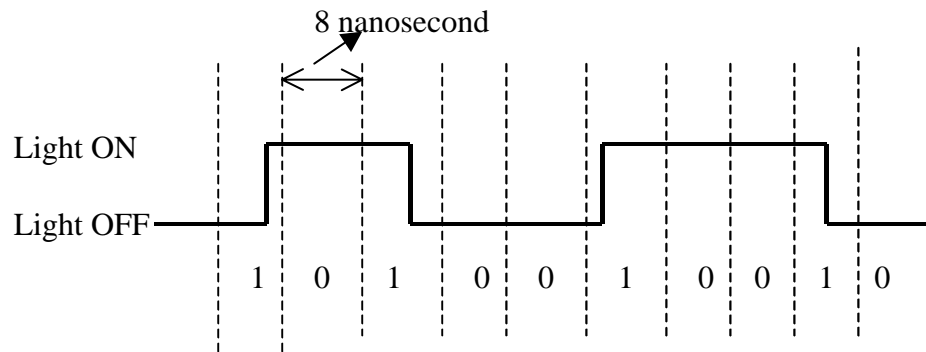


Figure 16.7

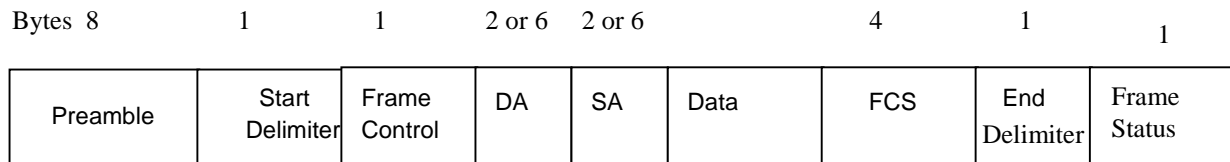


Figure 16.8

Fast Ethernet Switch Extending a FDDI Lan

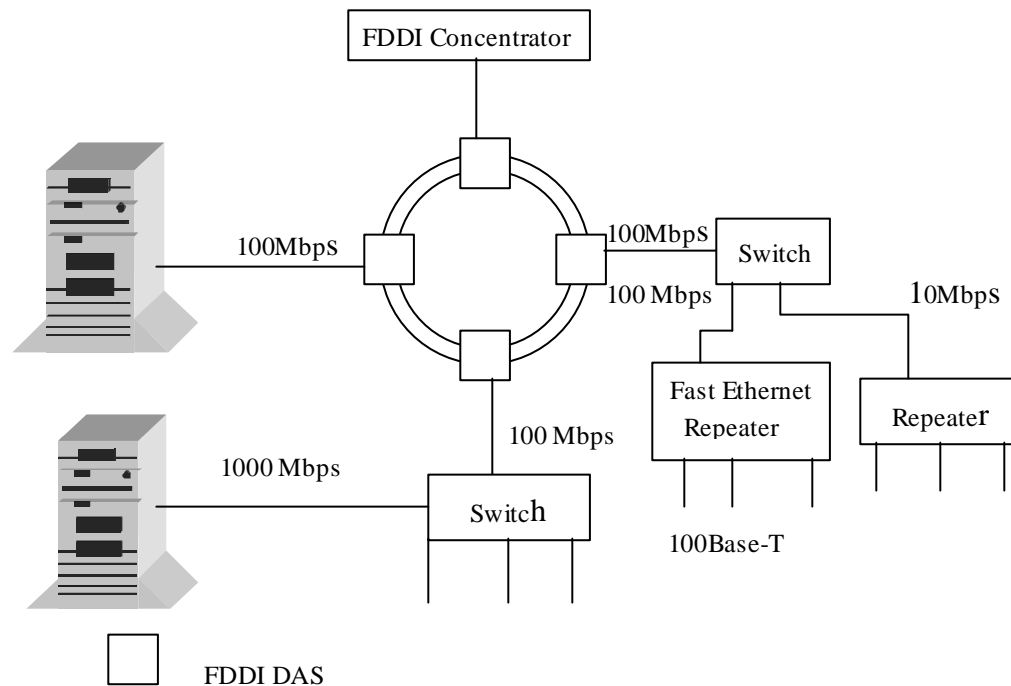


Figure 16.9

FDDI Replaced by a Fast Ethernet Switch

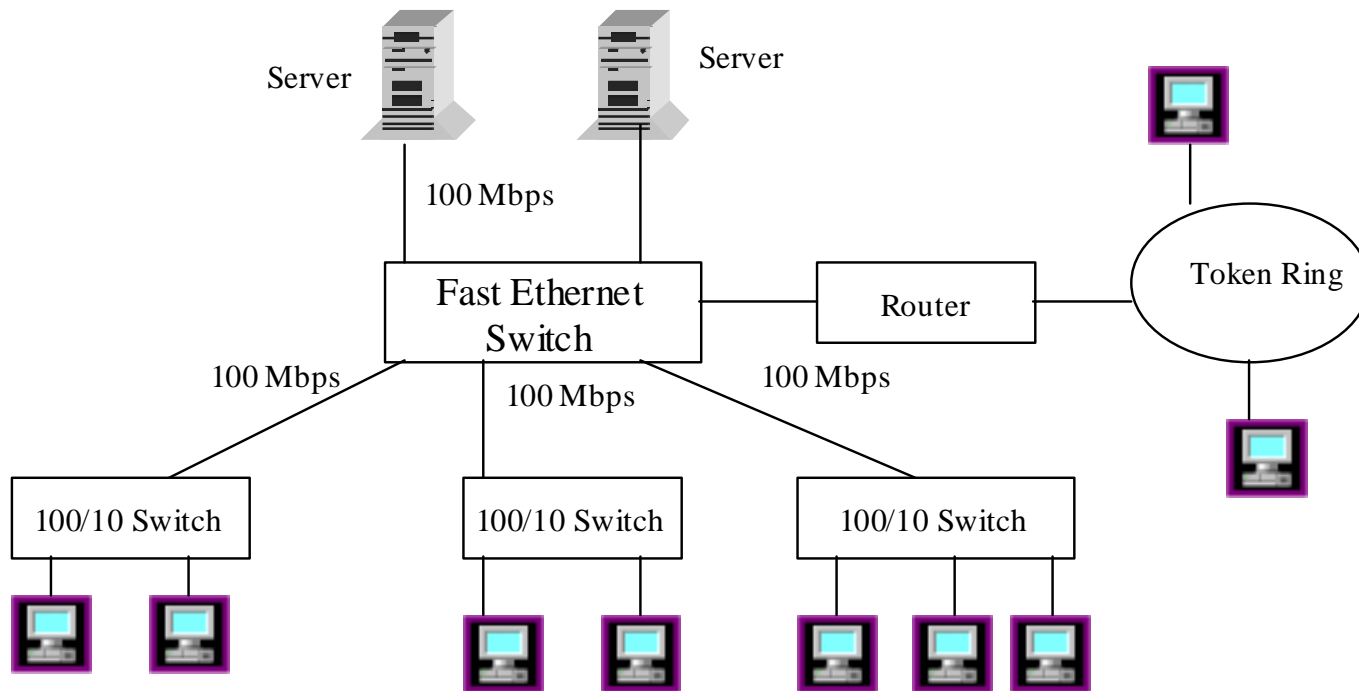


Figure 16.10