

Inputs		Output
<i>x</i>	<i>y</i>	<i>z</i>
<i>L</i>	<i>L</i>	<i>H</i>
<i>L</i>	<i>H</i>	<i>H</i>
<i>H</i>	<i>L</i>	<i>H</i>
<i>H</i>	<i>H</i>	<i>L</i>

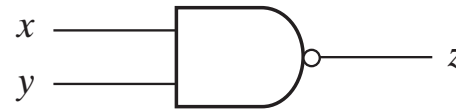


Fig. 10-1 Positive Logic NAND Gate

Inputs		Output
x	y	z
L	L	H
L	H	L
H	L	L
H	H	L

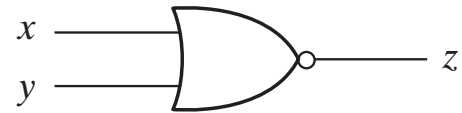
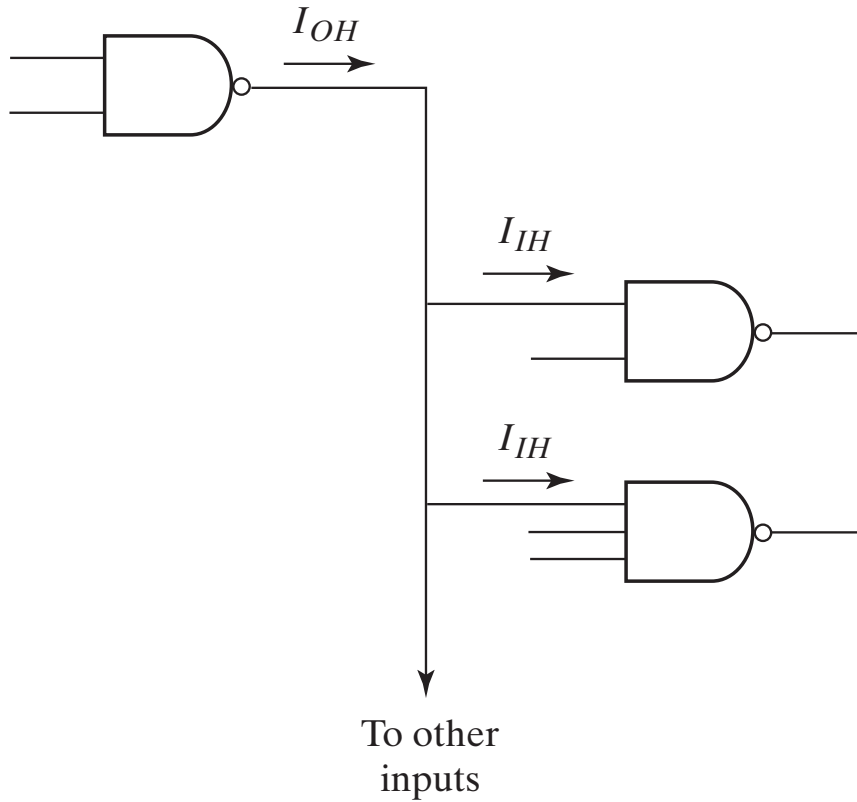
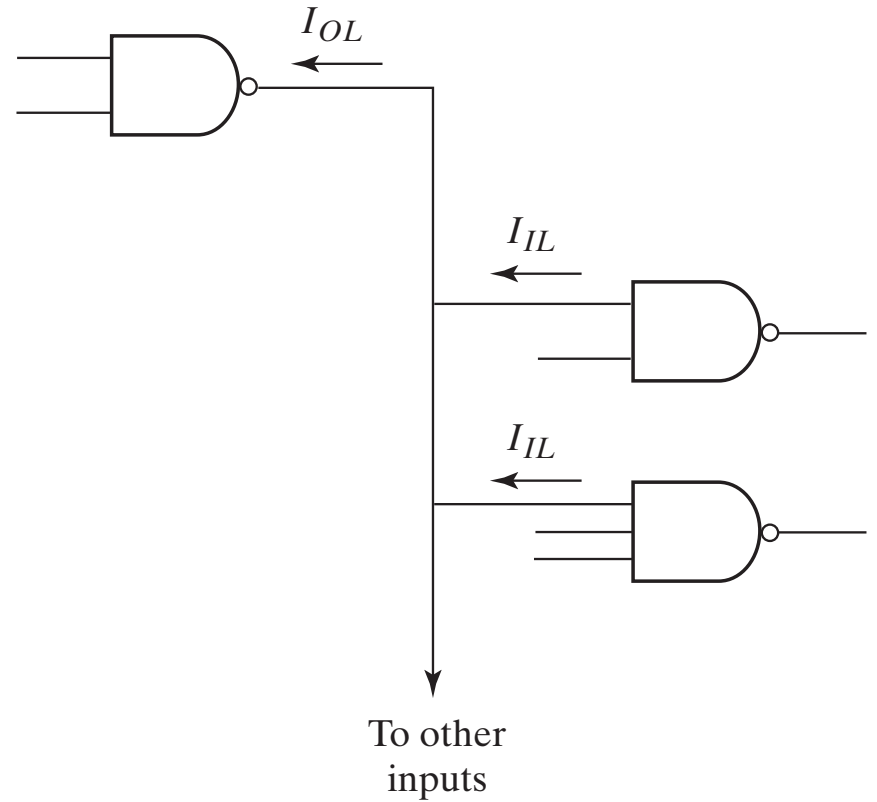


Fig. 10-2 Positive Logic NOR Gate



(a) High-level output



(b) Low-level output

Fig. 10-3 Fan-Out Computation

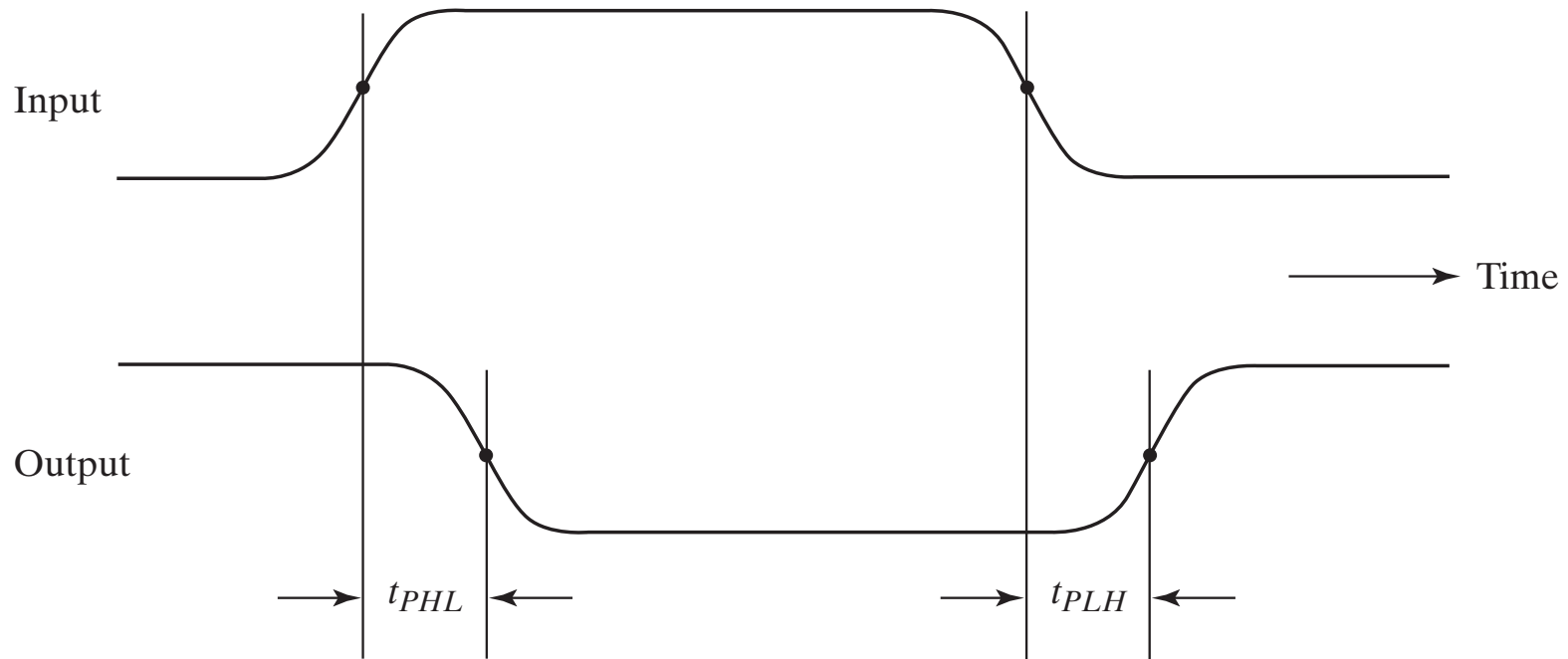


Fig. 10-4 Measurement of Propagation Delay

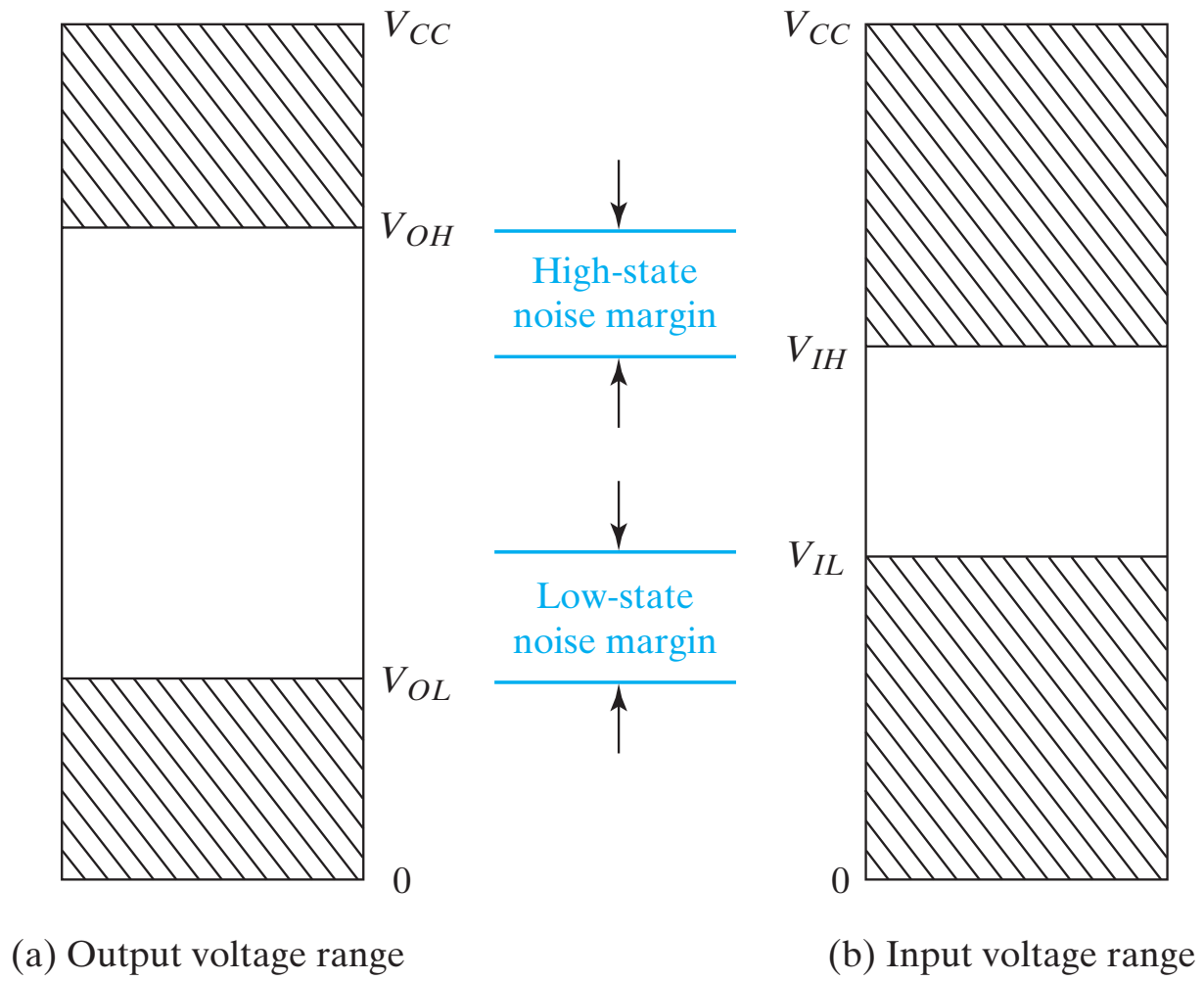
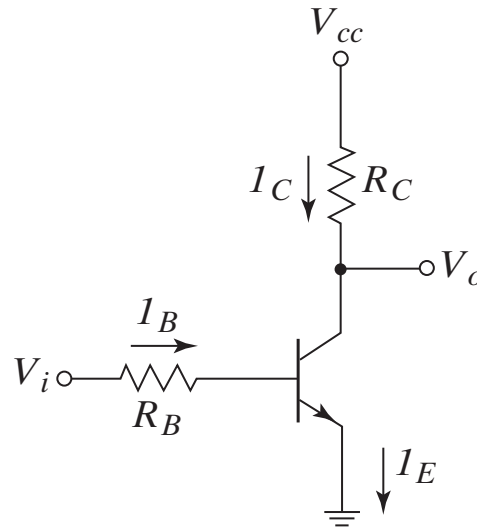
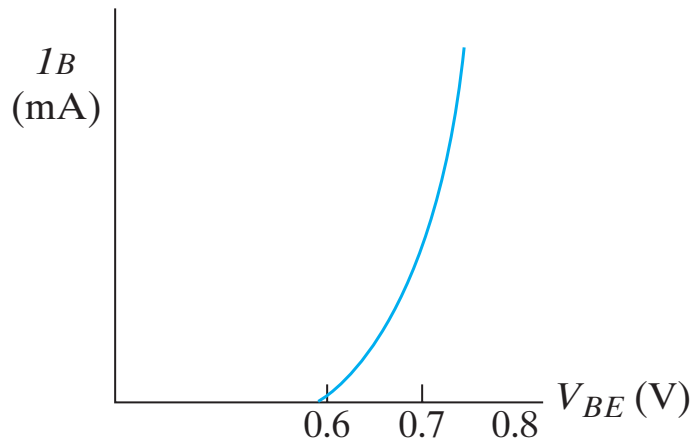


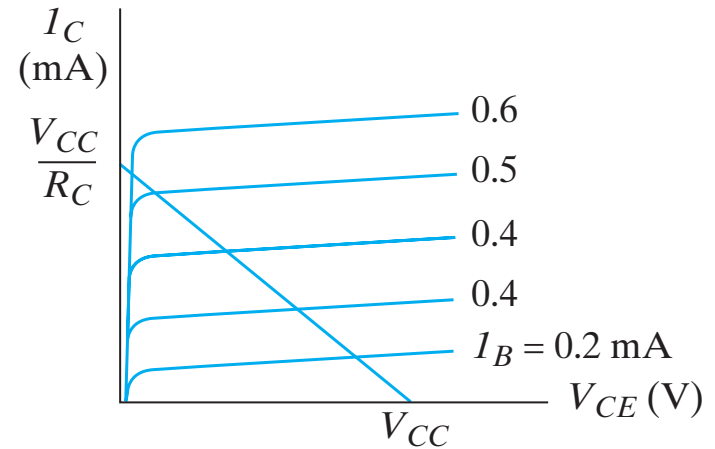
Fig. 10-5 Signals for Evaluating Noise Margin



(a) Inverter circuit

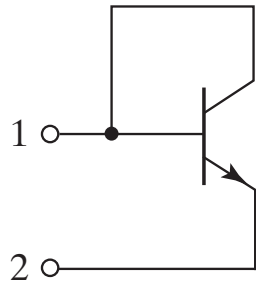


(b) Transistor-base characteristic

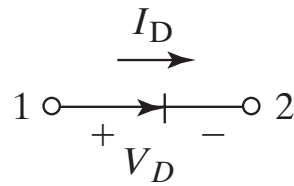


(c) Transistor-collector characteristic

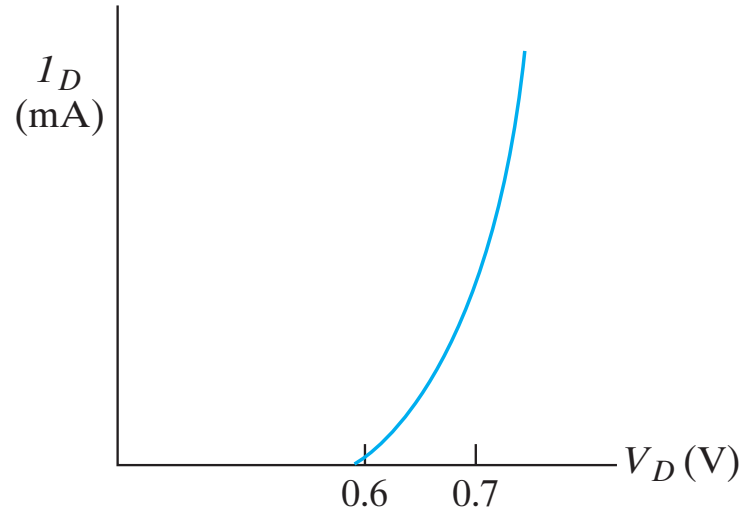
Fig. 10-6 Silicon *npn* Transistor Characteristics



(a) Transistor adapted for use as a diode



(b) Diode graphic symbol



(c) Diode characteristic

Fig. 10-7 Silicon Diode Symbol and Characteristic

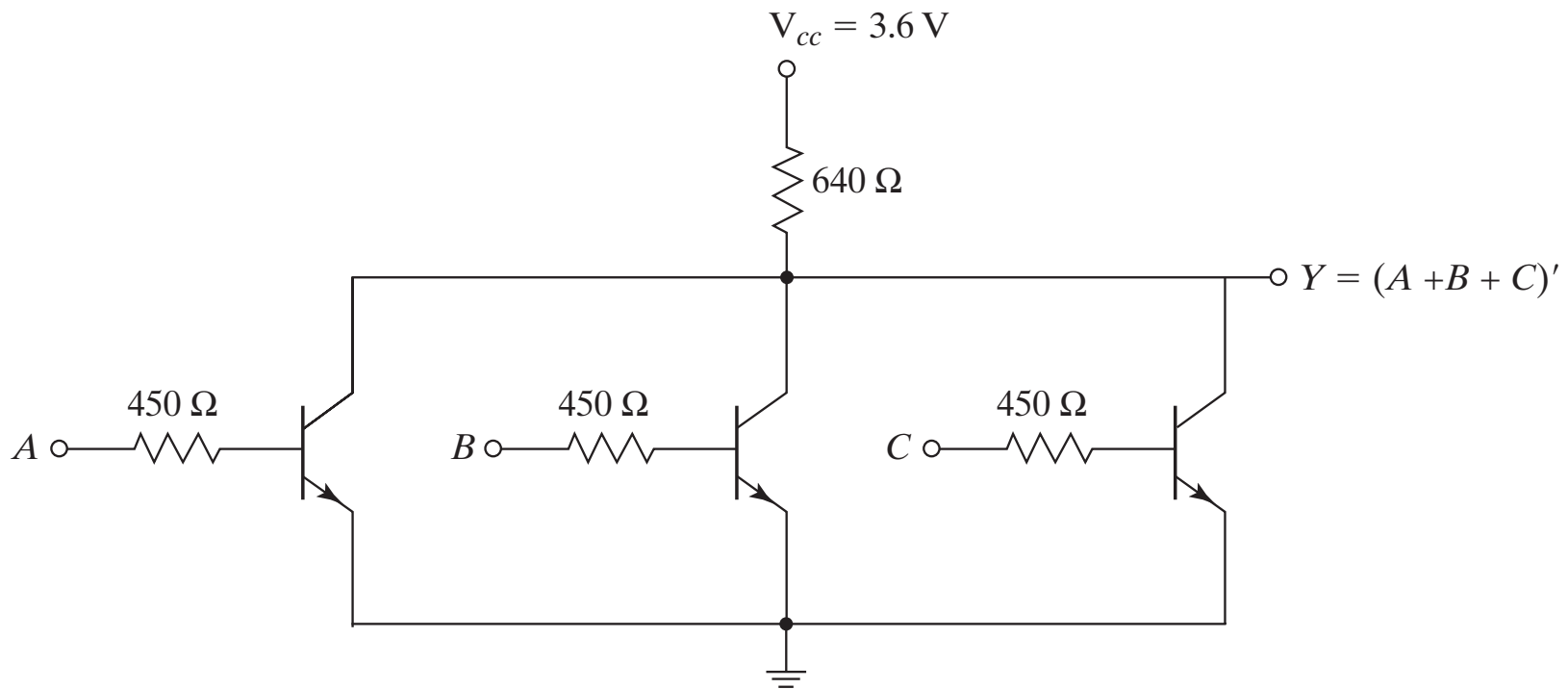


Fig. 10-8 RTL Basic NOR Gate

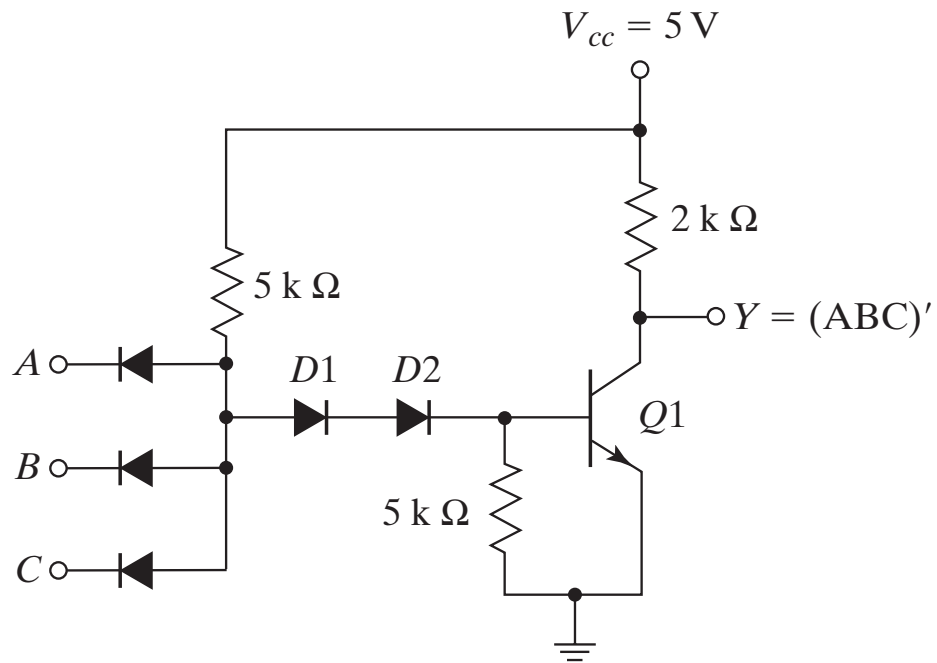


Fig. 10-9 DTL Basic NAND Gate

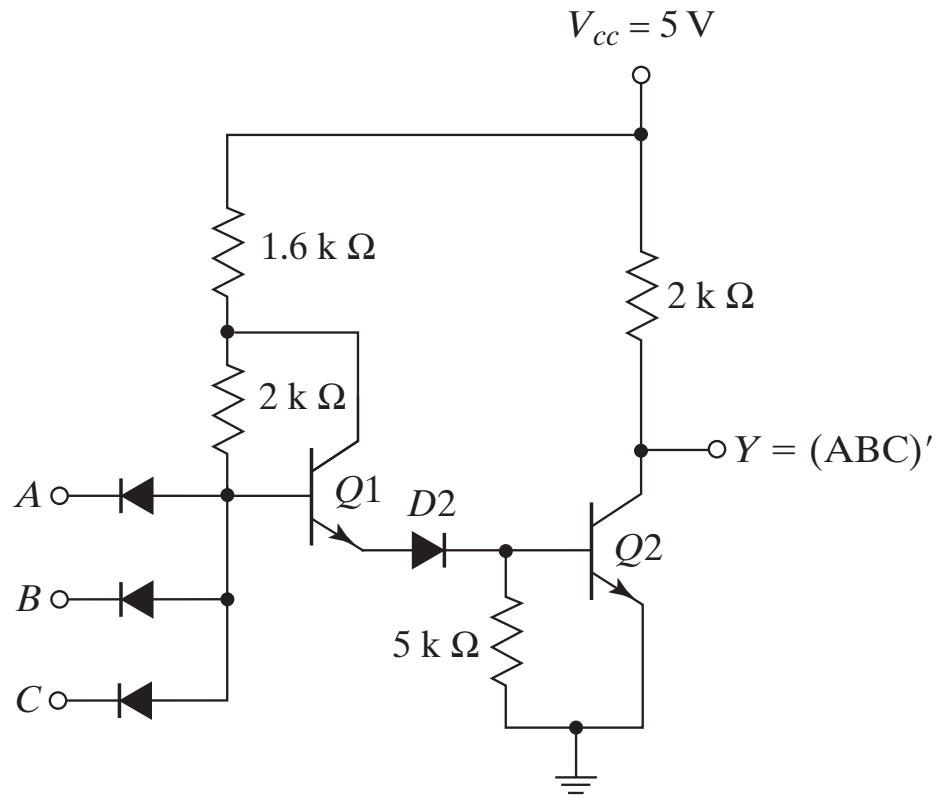


Fig. 10-10 Modified DTL Gate

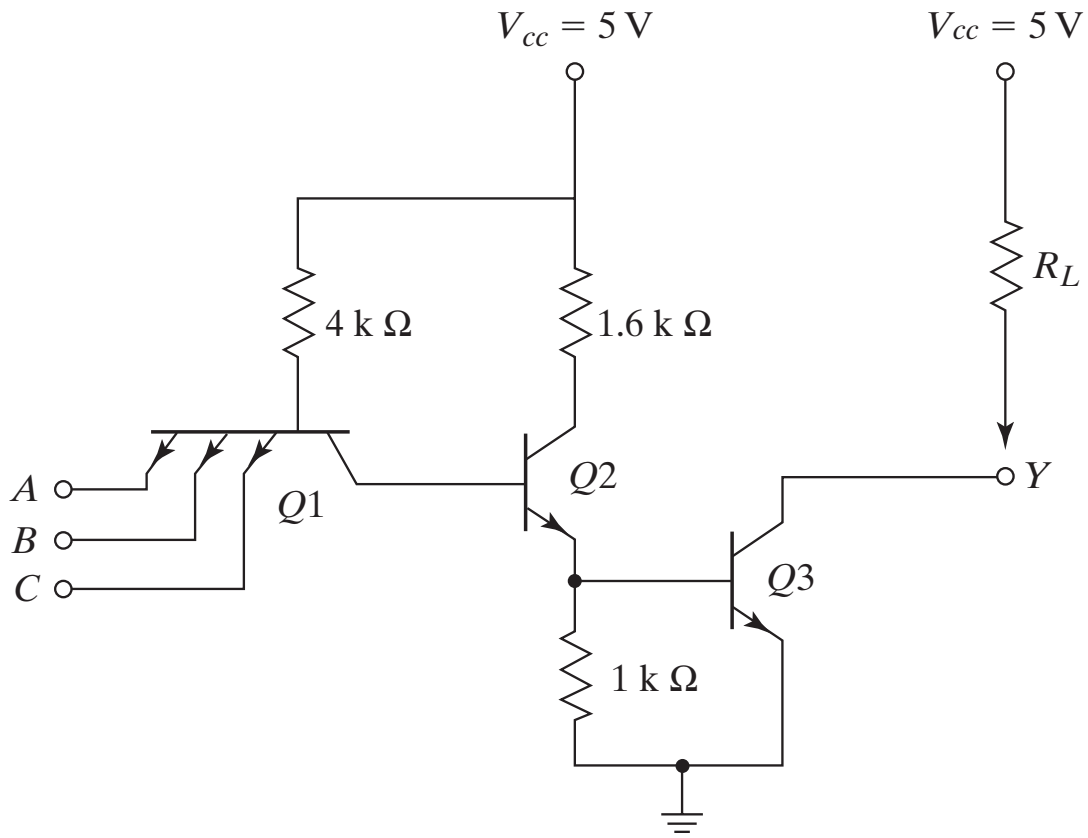
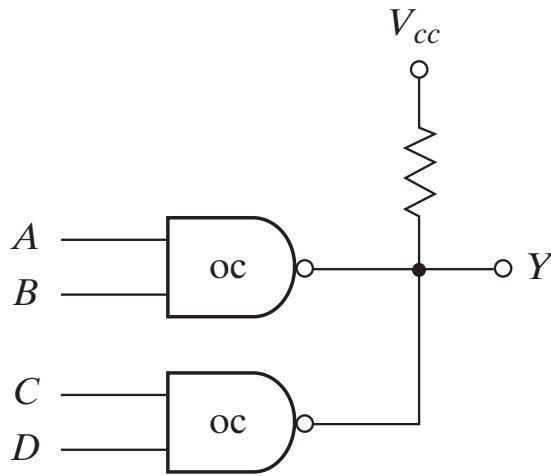
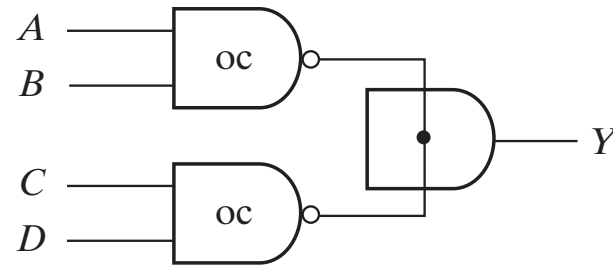


Fig. 10-11 Open-Collector TTL Gate



(a) Physical connection



(b) Wired-logic graphic symbol

Fig. 10-12 Wired-AND of two Open-Collector (oc) Gates, $Y = (AB + CD)'$

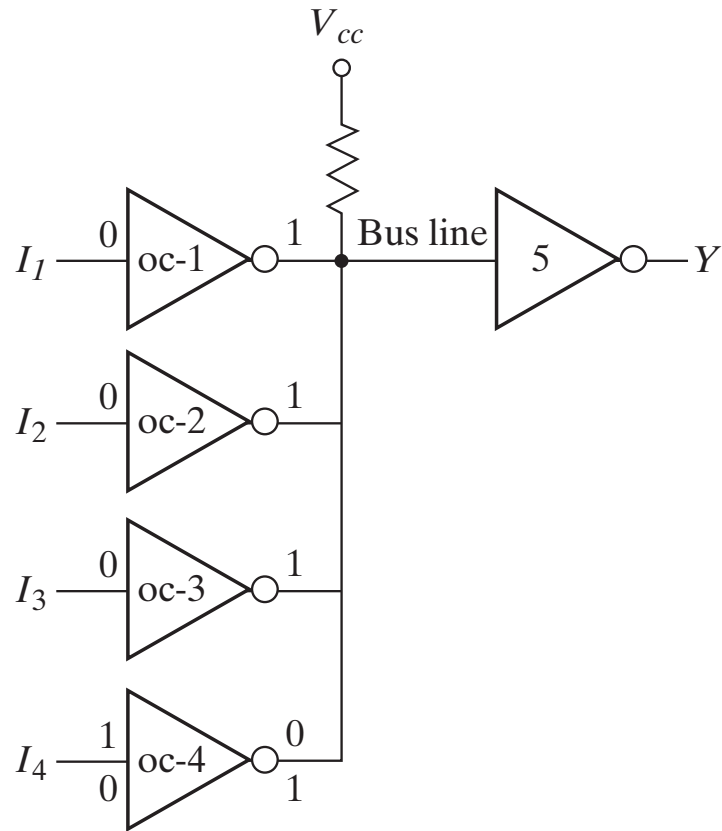


Fig. 10-13 Open-Collector Gates Forming a Common Bus Line

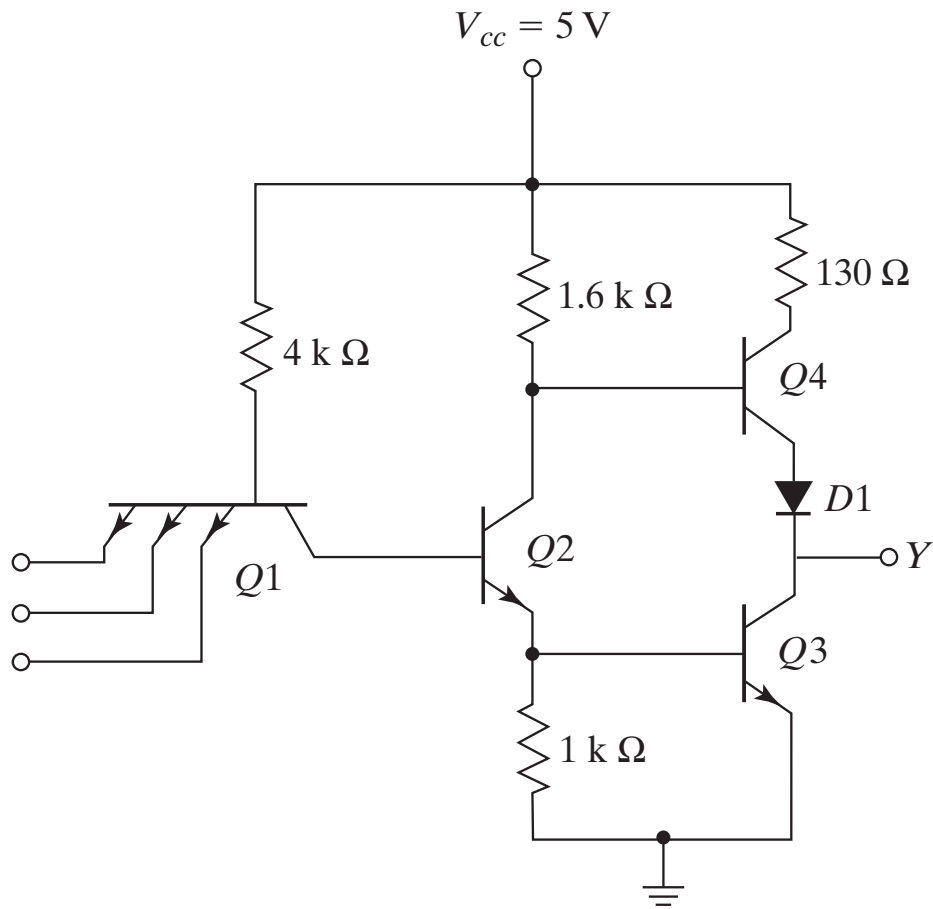


Fig. 10-14 TTL Gate with Totem-Pole Output

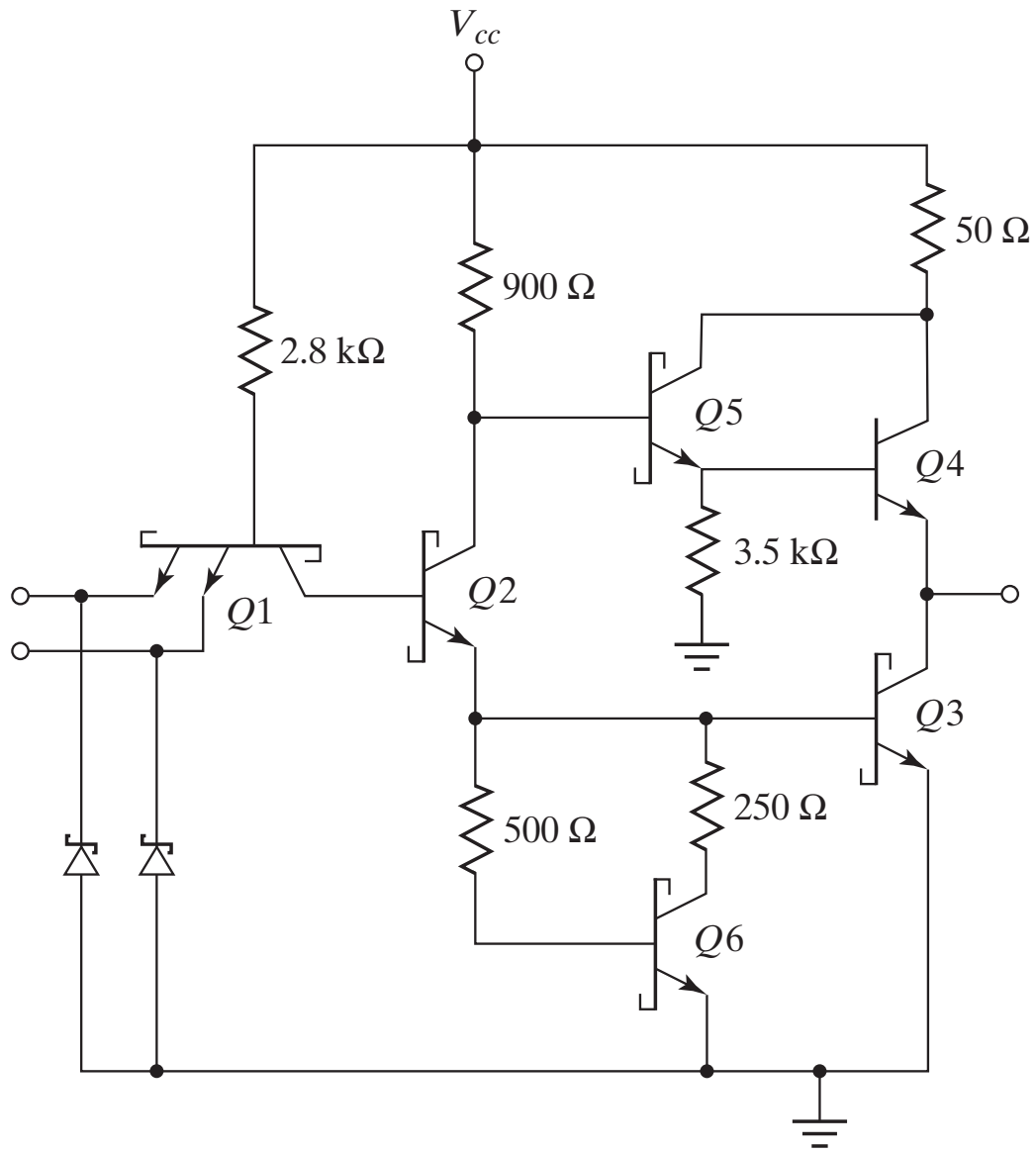
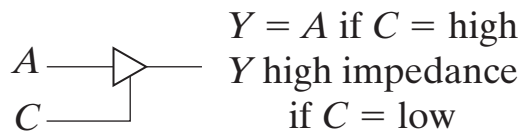
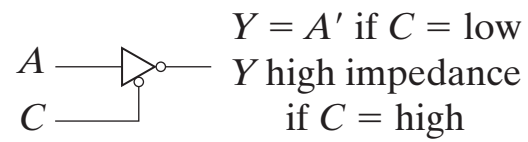


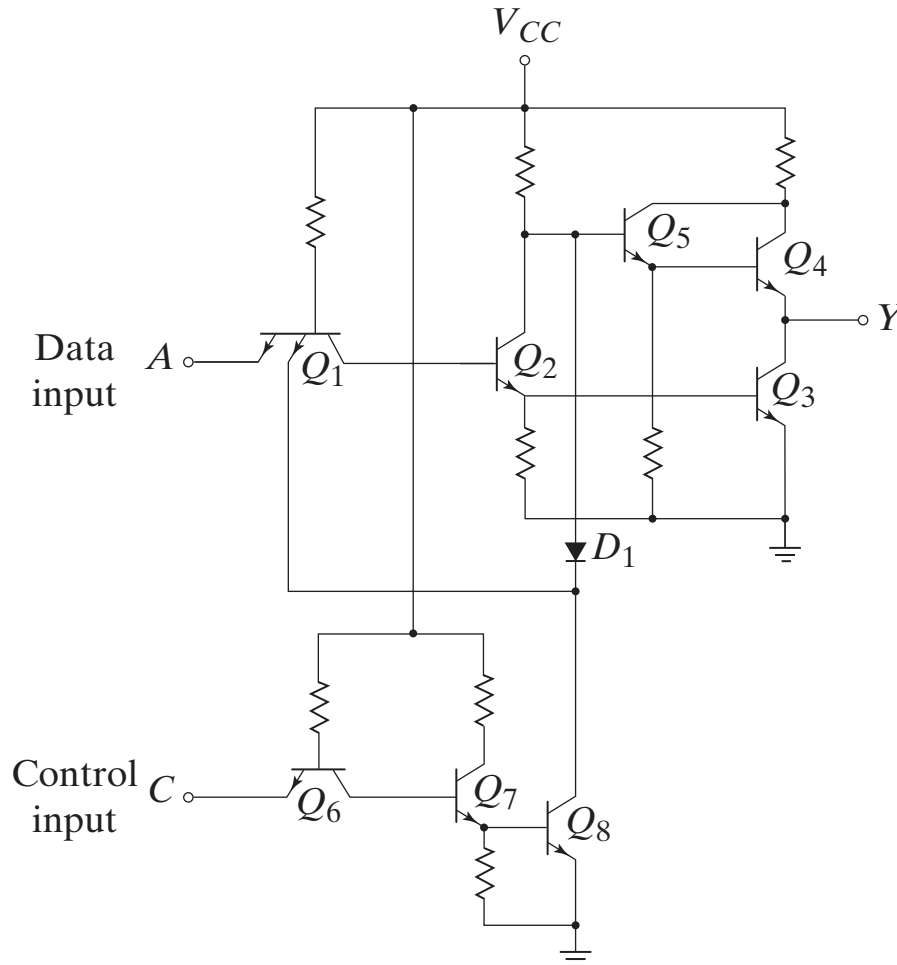
Fig. 10-15 Schottky TTL Gate



(a) Three-state buffer gate



(b) Three-state inverter gate



(c) Circuit diagram for the three-state inverter of (b)

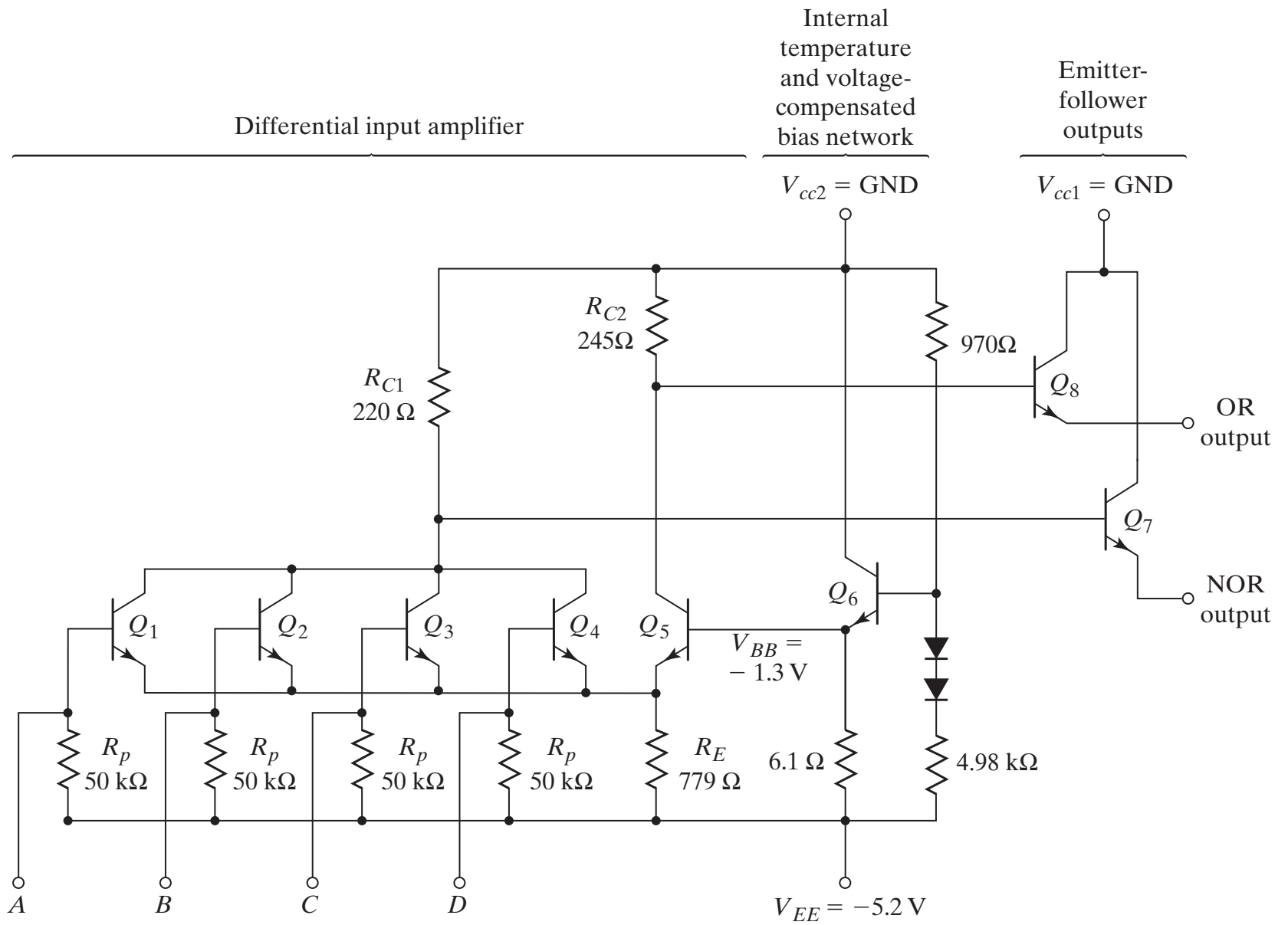
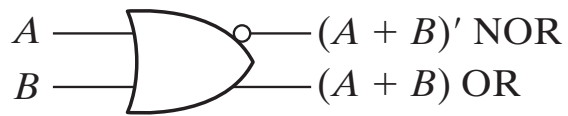
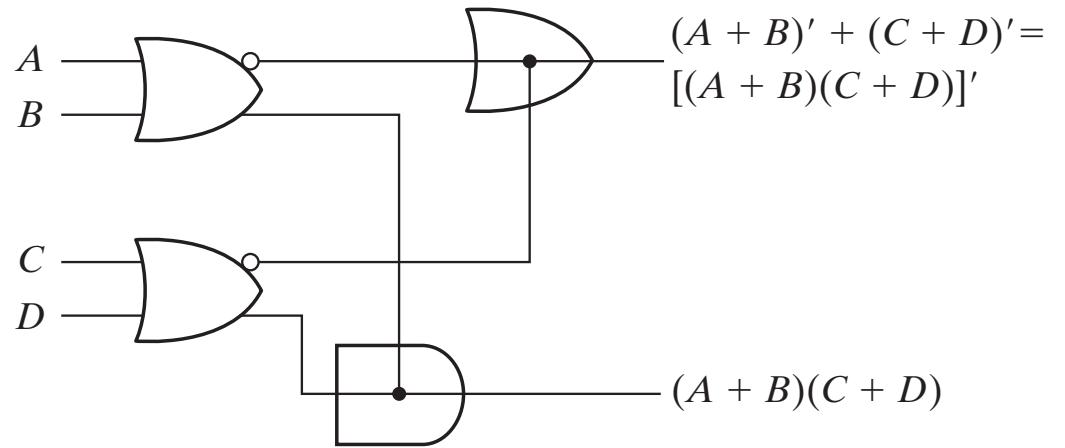


Fig. 10-17 ECL Basic Gate



(a) Single gate



(b) Wired combination of two gates

Fig. 10-18 Graphic Symbols of ECL Gates

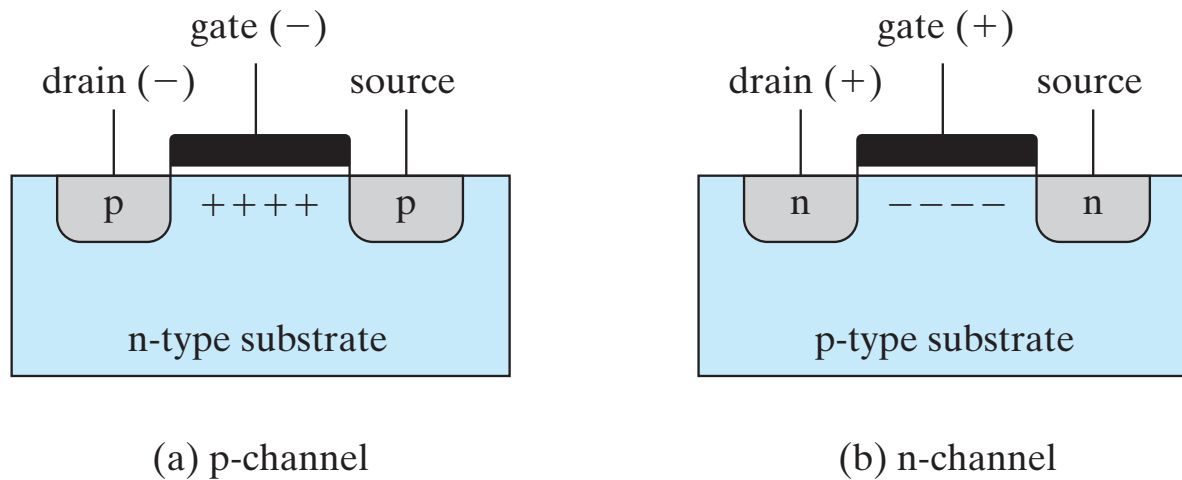
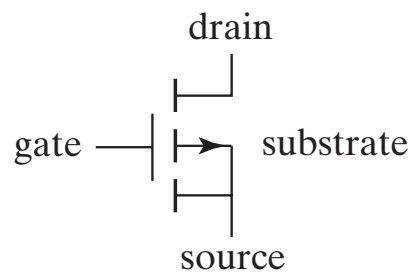
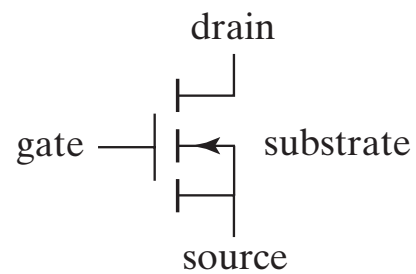
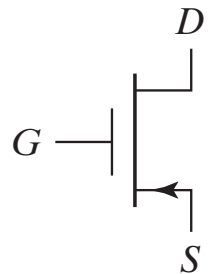


Fig. 10-19 Basic Structure of MOS Transistor



(a) p-channel



(b) n-channel

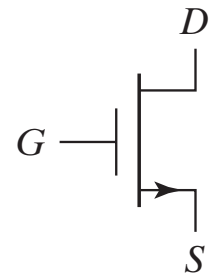


Fig. 10-20 Symbols for MOS Transistors

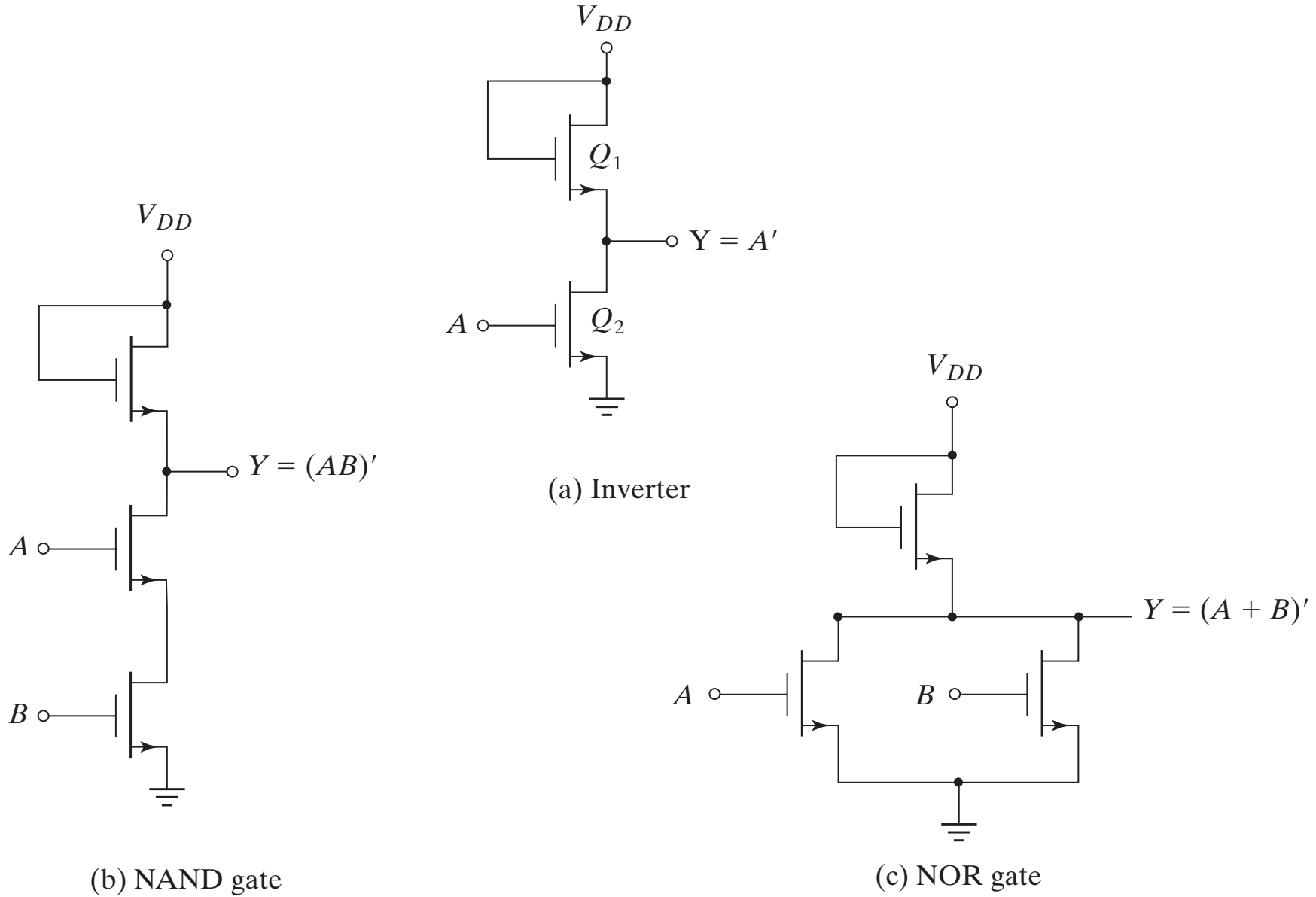
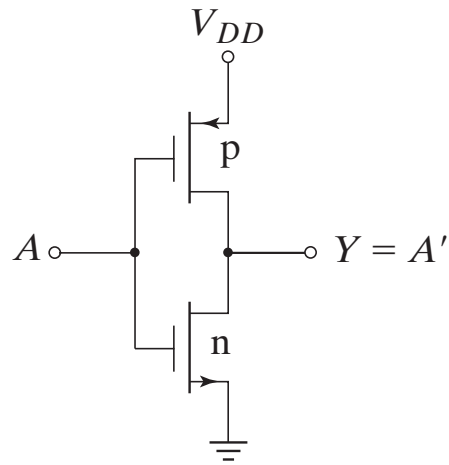
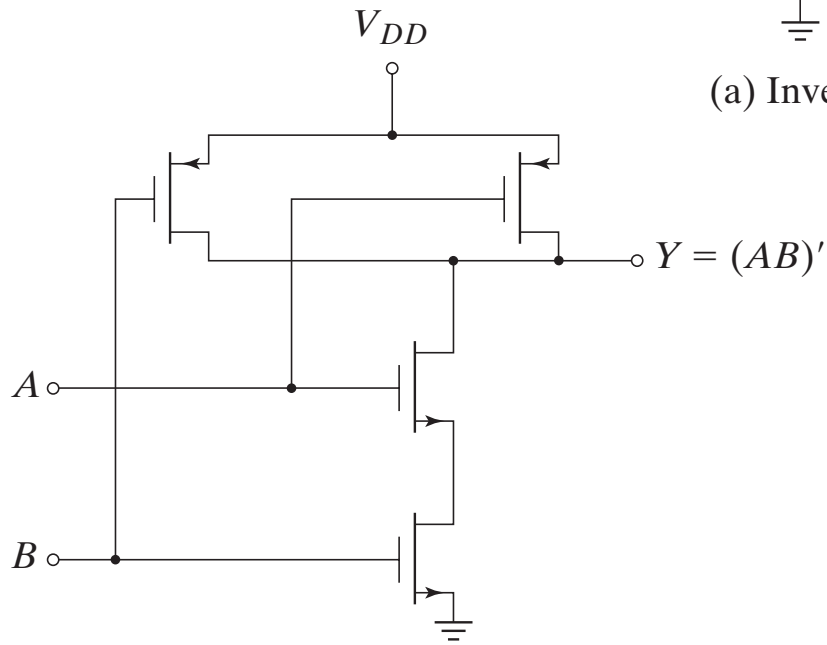


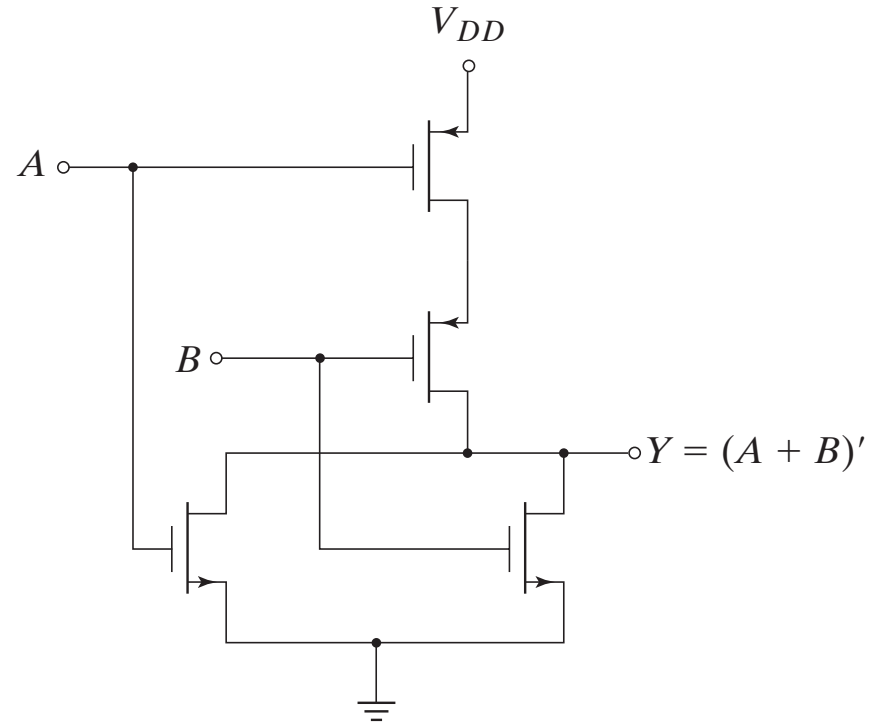
Fig. 10-21 n -channel MOS Logic Circuits



(a) Inverter

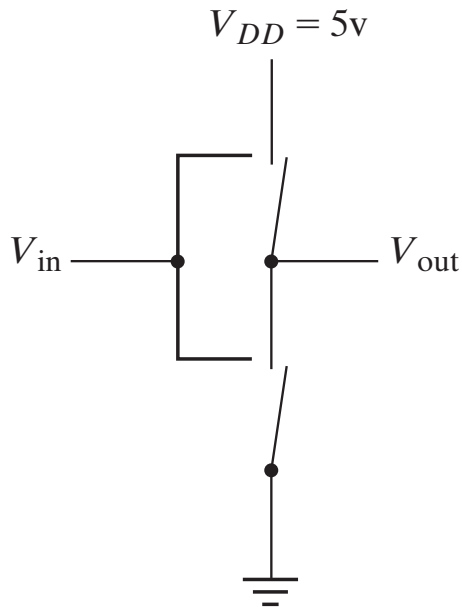


(b) NAND gate

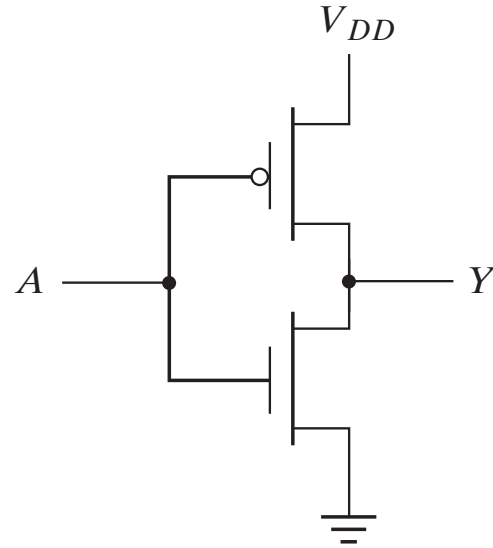


(c) NOR gate

Fig. 10-22 CMOS Logic Circuits

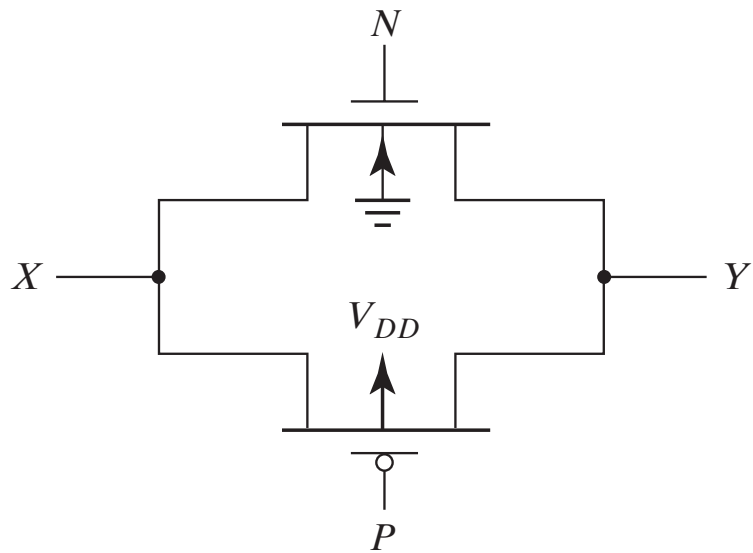


(a) Switch model

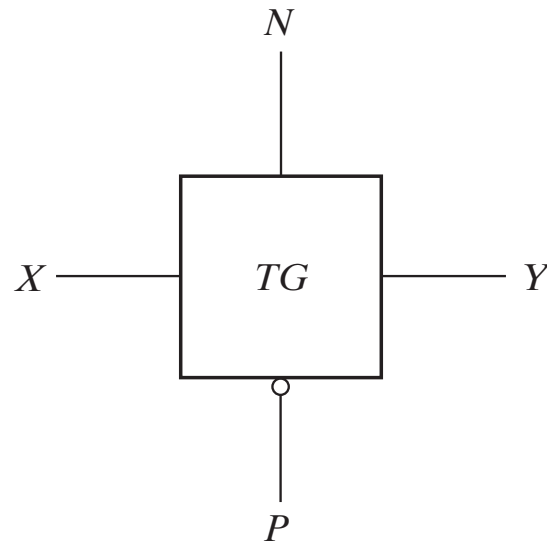


(b) Logical model

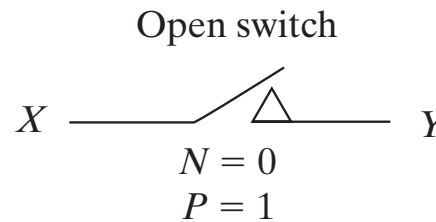
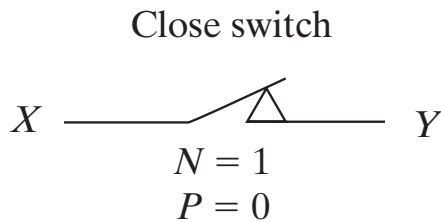
Fig. 10-23 CMOS inverter



(a)



(b)



(c)

Fig. 10-24 Transmission Gate (TG)

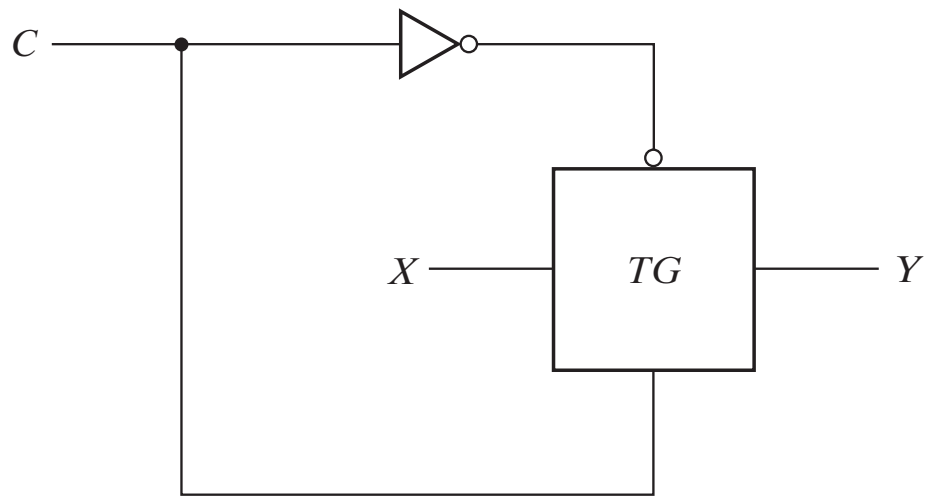


Fig. 10-25 Bilateral Switch

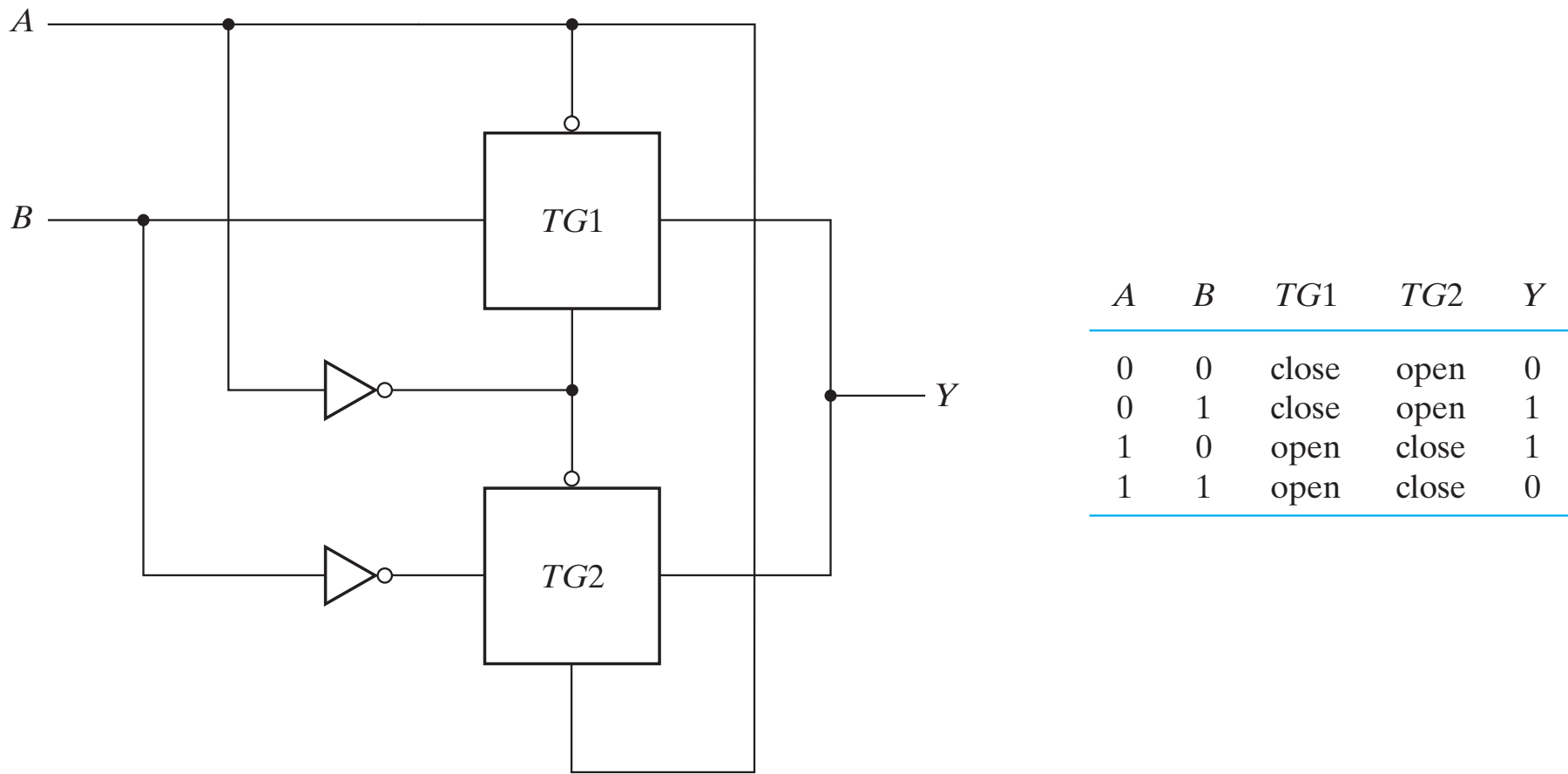


Fig. 10-26 Exclusive-OR Constructed with Transmission Gates

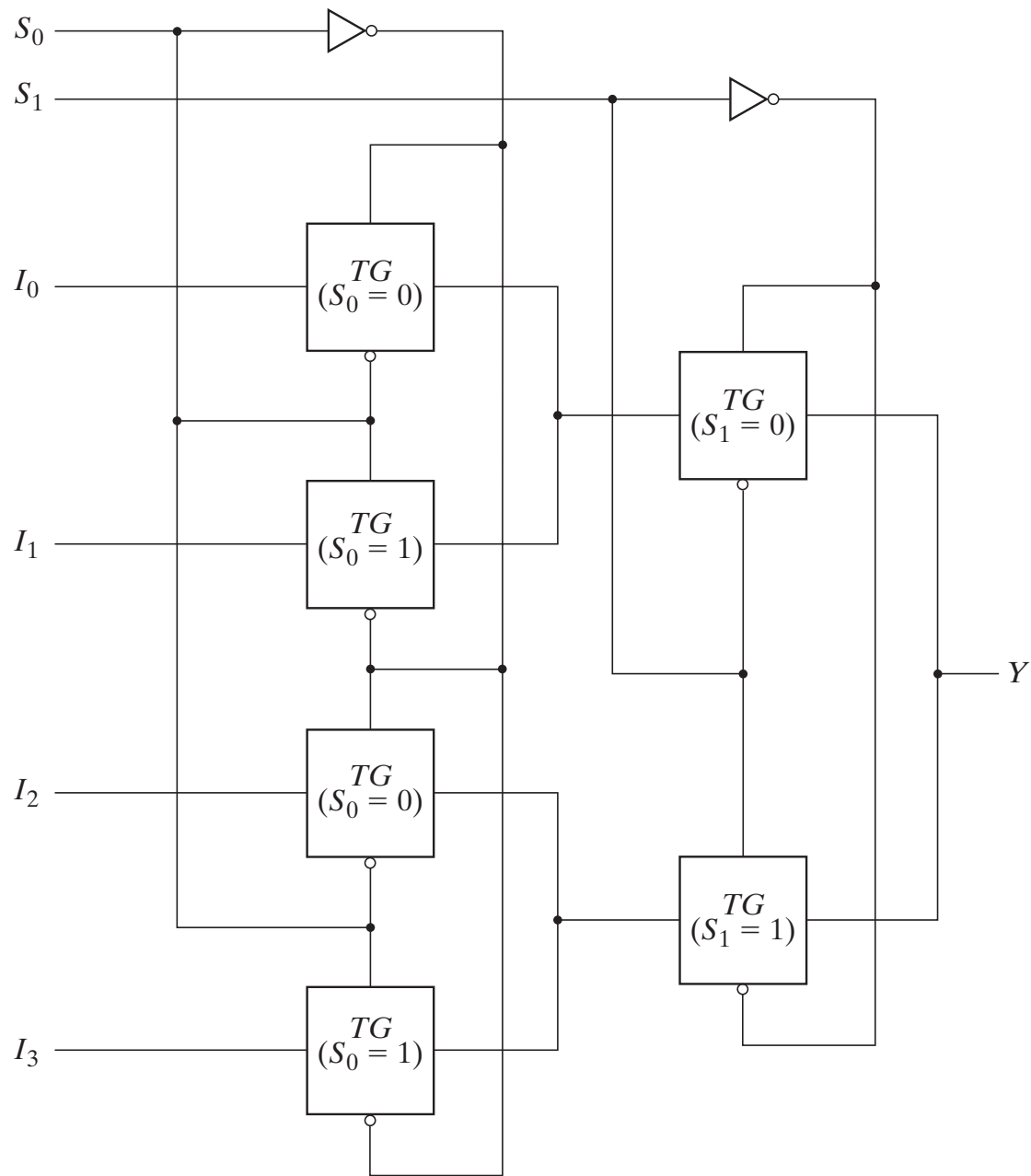


Fig. 10-27 Multiplexer with Transmission Gates

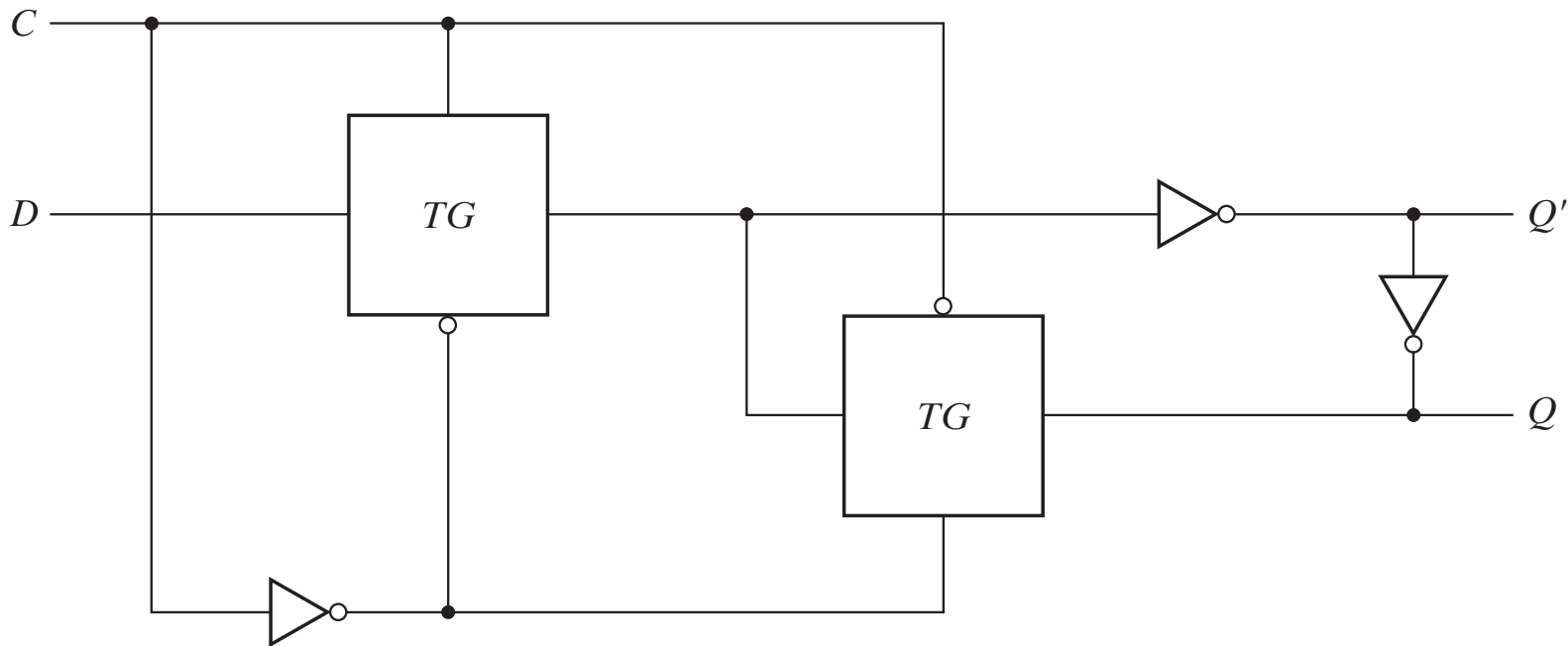


Fig. 10-28 Gated D Latch with Transmission Gates